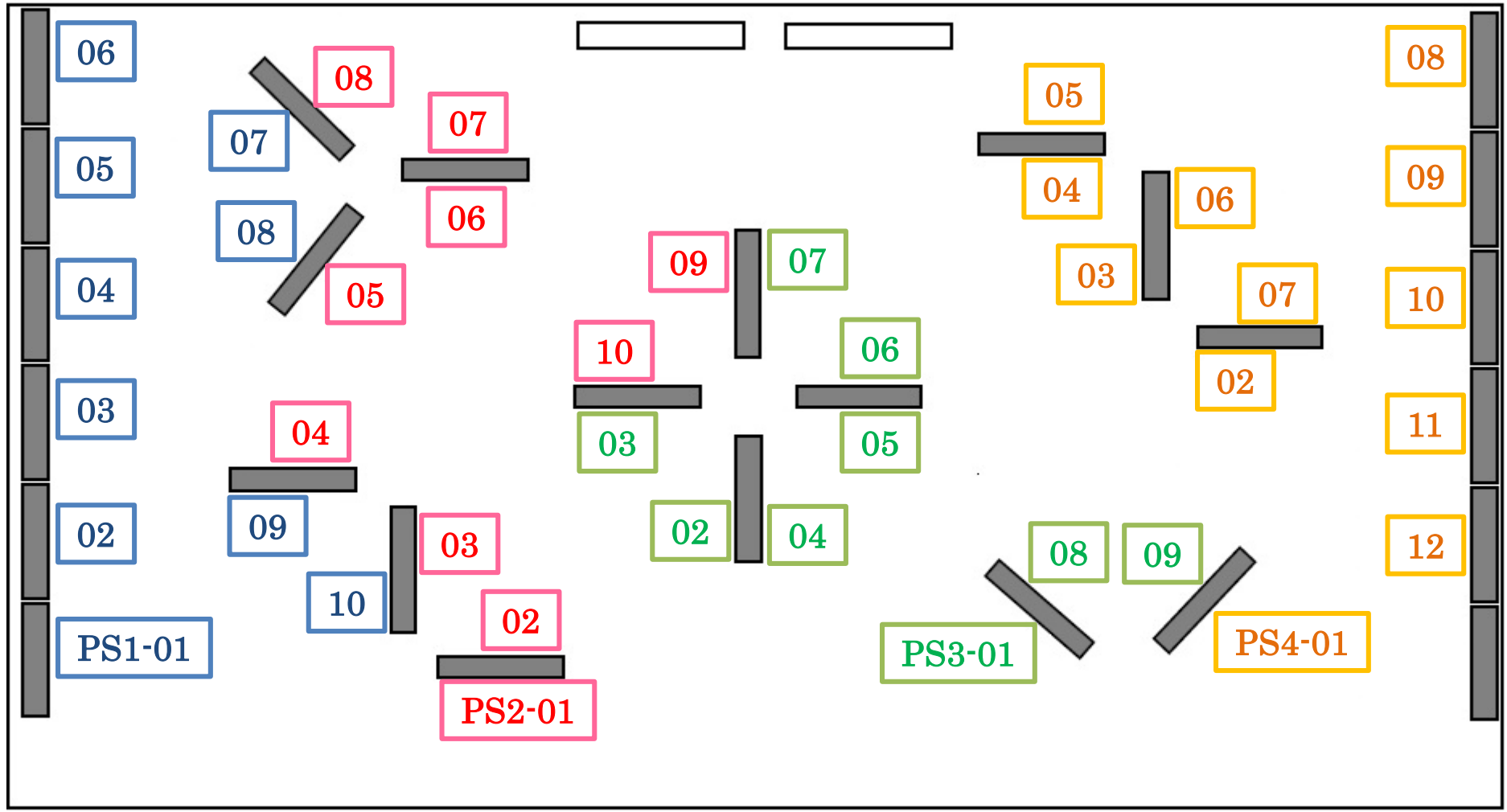


# Booth Arrangement (Student Computer Room)

12 November, 16:00 ~ 17:00

PS1-01	PS2-01	PS3-01	PS4-01
PS1-10	PS2-10	PS3-09	PS4-12

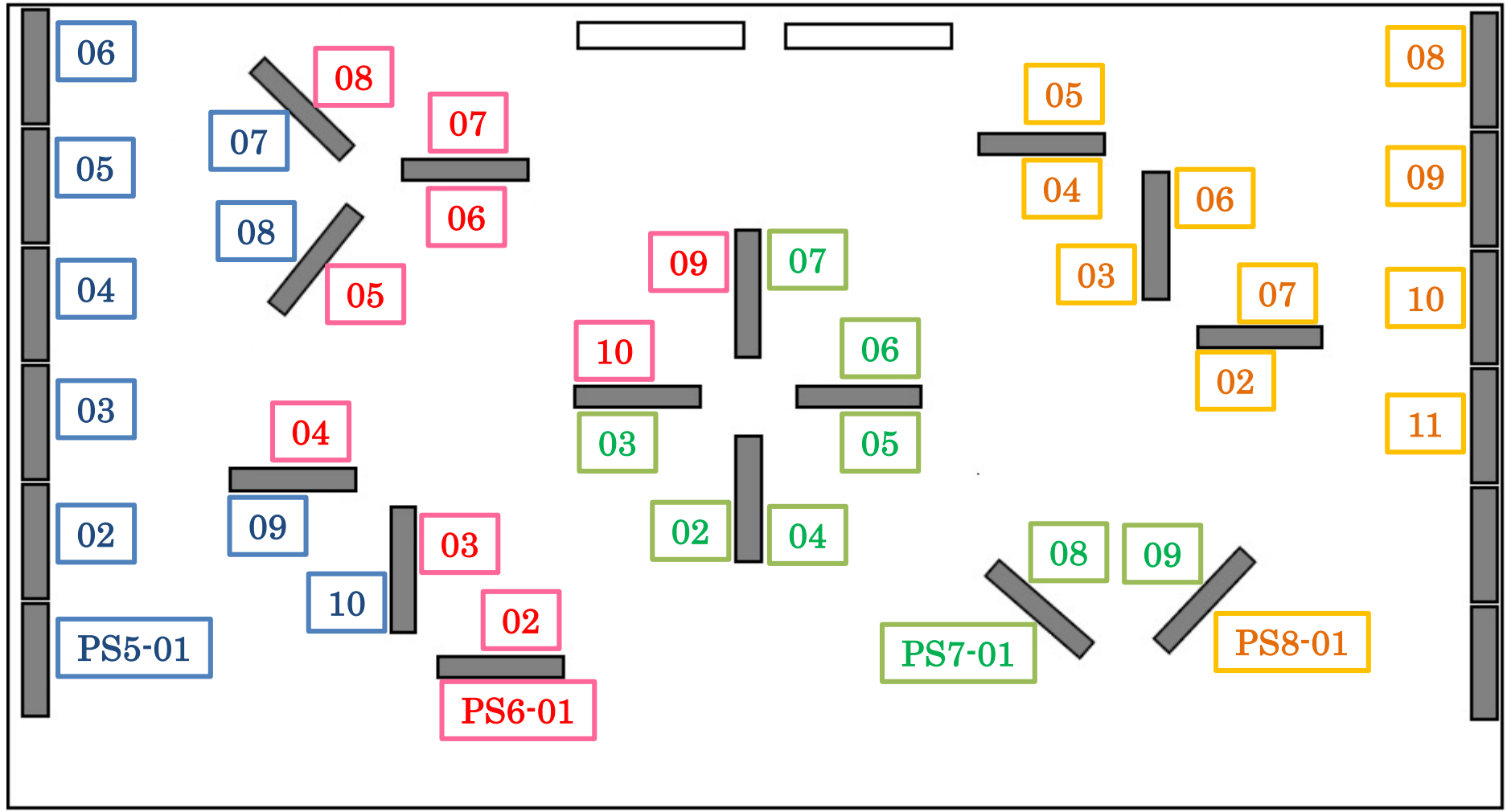


Student Computer Lab.

# Booth Arrangement (Student Computer Room)

13 November, 16:00 ~ 17:00

PS5-01	PS6-01	PS7-01	PS8-01
PS5-10	PS6-10	PS7-09	PS8-11



Student Computer Lab.